




Powered by
ncnielsen
Lithium-ION 

Platform Double Pallet Stacker

D12-14 AP

Capacity 1.2 t-1.4 t | Series 1173

Flexible performance engine

- Fold-out platform for a wide range of applications
- Up to 1400 kilograms on two pallets for maximum productivity
- Creep speed function makes difficult maneuvers in narrow aisles easier
- Linde OptiLift® mast control ensures precise load handling
- Excellent visibility through mast enables loading and unloading with millimeter accuracy
- With the powerful 2.3 kW AC engine, the trucks reach speeds of up to 10 km/h for increased handling capacity

STANDARD AND OPTIONAL EQUIPMENT

Model/Equipment		D12 AP	D14 AP
Safety	Folding side guards	●	●
	Automatic speed reduction when cornering	●	●
	Key switch	●	●
	Log in PIN code	○	○
Service	CAN bus technology	●	●
Digitalisation	Linde Connected Solutions:	○	○
	ac: access control (PIN or RFID Dual),	○	○
	an: usage analysis and dt: crash detection	○	○
	Data transfer online	○	○
	Data transfer WIFI	○	○
	Bluetooth USB Stick	○	○
Operation/ Load Handling	Ultra fast fitting	○	○
	Creep speed control	●	●
	Linde Safety lift function	●	●
	Pallet stop	●	●
	Load backrest 1000 mm	○	○
	Initial lift	●	●
	Soft landing of forks	○	○
Environment	Cold store -35 °C (in/out)	○	○
Workplace	Suspended platform	●	●
	Multifunction coloured display hour meter, maintenance indication, battery discharge indicator and internal fault code indication	●	●
	Spacious storage compartments	●	●
	Pack clipboard	○	○
Mast	Standard	○	○
	Simplex	○	○
	Duplex	○	○
	Triplex	○	○
	Mast protection: polycarbonate	●	●
	Mast protection: mesh	○	○
Attachment/ Forks	Fork carriage 560/1150/55 mm	●	●
	Fork carriage 680/1150/55 mm	○	○
Axles and Tyres	Drive wheels polyurethane	●	●
	Drive wheels cushion rubber, non marking, wet grip	○	○
	Single load wheels polyurethane	●	●
	Tandem load wheels gresseable or no gresseable	○	○
	Double castor wheels	●	●
	Double castor wheels gresseable	○	○
Drive and Brake-System	OptiLift® system	●	●
	2.3 kW AC (maintenance free)	●	●
	Electromagnetic braking system	●	●
	Battery compartment, lateral change 3 PzS (345 Ah/375 Ah)	●	●
	Battery compartment, lateral change 4 PzS (460 Ah/500 Ah)	○	○
	Battery compartment, Li-ION battery 4.5 kWh (205 Ah)/9.0 kWh (410 Ah) inclusive side plug for opportunity charging	○	○
	Li-ION 24 V charger	○	○

● Standard equipment

○ Optional equipment

MAST TABLES

STANDARD MAST (in mm)

Lift	h3: 1574	h3: 1924	h3: 2424	h3: 2924	h3: 3324	h3: 3824
Height measurements	h1: 1315 h2: 150 h3+h13: 1660 h4: 2110	h1: 1490 h2: 150 h3+h13: 2010 h4: 2460	h1: 1740 h2: 150 h3+h13: 2510 h4: 2960	h1: 1990 h2: 150 h3+h13: 3010 h4: 3460	h1: 2190 h2: 150 h3+h13: 3410 h4: 3860	h1: 2440 h2: 150 h3+h13: 3910 h4: 4360
Model						
D12 AP	<input type="radio"/>	<input type="radio"/>	<input type="radio"/>	<input type="radio"/>	<input type="radio"/>	<input type="radio"/>
D14 AP	<input type="radio"/>	<input type="radio"/>	<input type="radio"/>	<input type="radio"/>	<input type="radio"/>	<input type="radio"/>

DUPLEX MAST (in mm)

Lift	h3: 1574	h3: 1924	h3: 2424	h3: 2924	h3: 3324	h3: 3824
Height measurements	h1: 1240 h2: 704 h3+h13: 1660 h4: 2110	h1: 1415 h2: 879 h3+h13: 2010 h4: 2460	h1: 1665 h2: 1129 h3+h13: 2510 h4: 2960	h1: 1915 h2: 1379 h3+h13: 3010 h4: 3460	h1: 2115 h2: 1579 h3+h13: 3410 h4: 3860	h1: 2365 h2: 1829 h3+h13: 3910 h4: 4360
Model						
D12 AP	<input type="radio"/>	<input type="radio"/>	<input type="radio"/>	<input type="radio"/>	<input type="radio"/>	<input type="radio"/>
D14 AP	<input type="radio"/>	<input type="radio"/>	<input type="radio"/>	<input type="radio"/>	<input type="radio"/>	<input type="radio"/>

TRIPLEX MAST (in mm)

Lift	h3: 1574	h3: 3516	h3: 4266
Height measurements	h1: 1165 h2: 629 h3+h13: 1660 h4: 2067	h1: 1665 h2: 1129 h3+h13: 3602 h4: 4052	h1: 1915 h2: 1379 h3+h13: 4352 h4: 4802
Model			
D12 AP	<input type="radio"/>	<input type="radio"/>	<input type="radio"/>
D14 AP	<input type="radio"/>	<input type="radio"/>	<input type="radio"/>

Optional equipment

h1: Height of mast, lowered
h3+h13: Lift + Fork height

h2: Free lift

h3: Lift

h4: Height of mast, extended

TECHNICAL DATA (According to VDI 2198)

	1.1		Linde			
	1.2	Model	D12 AP	D14 AP		
Characteristics	1.2.a	Series	1173	1173		
	1.3.	Power Unit	Battery	Battery		
	1.4	Operation	Pedestrian / Stand-on	Pedestrian / Stand-on		
	1.5	Load capacity / Load ¹⁾	Q (kg)	1200	1400	
	1.6	Load centre distance	c (mm)	600	600	
	1.8	Axle centre to fork face ^{2) 3)}	x (mm)	842	842	
	1.9	Wheelbase ^{2) 4)}	y (mm)	1597	1597	
	Weights	2.1	Service weight (± 10 %) ⁵⁾	(kg)	1150	1150
		2.2	Axle load with load, front / rear (± 10 %)	(kg)	967 / 1383	997 / 1553
2.3		Axle load without load, front / rear (± 10 %) ²⁾	(kg)	785 / 365	785 / 365	
Wheels / Tyres	3.1	Tyres rubber, SE, pneumatic, polyurethane		Rubber + polyurethan / polyurethan	Rubber + polyurethan / polyurethan	
	3.2	Tyre size, front		Ø 230 × 90	Ø 230 × 90	
	3.3	Tyre size, rear ⁵⁾		Ø 85 × 85 (Ø 85 × 60)	Ø 85 × 85 (Ø 85 × 60)	
	3.4	Auxiliary wheels (dimensions)		2x Ø 140 × 50	2x Ø 140 × 50	
	3.5	Wheels, number front / rear (x = driven) ⁵⁾		1x + 2 / 2 (1x + 2 / 4)	1x + 2 / 2 (1x + 2 / 4)	
	3.6	Track width, front (± 5 mm)	b10 (mm)	534	534	
	3.7	Track width, rear (± 5 mm)	b11 (mm)	380	380	
Dimensions	4.2	Height of mast, lowered ⁶⁾	h1 (mm)	1915	1915	
	4.3	Free lift ⁶⁾	h2 (mm)	1395	1395	
	4.4	Lift ⁶⁾	h3 (mm)	4266	4266	
	4.5	Height of mast, extended ⁶⁾	h4 (mm)	4786	4786	
	4.6	Initial lift	h5 (mm)	125	125	
	4.9	Height of tiller arm in operating position, min / max	h14 (mm)	1162.5 / 1305.6	1162.5 / 1305.6	
	4.15	Height, lowered	h13 (mm)	86	86	
	4.19	Overall length ^{4) 7)}	l1 (mm)	2225 / 2558	2225 / 2558	
	4.20	Length to fork face ⁴⁾	l2 (mm)	1075 / 1408	1075 / 1408	
	4.21	Overall width	b1 / b2 (mm)	800	800	
	4.22	Fork dimensions DIN ISO 2331	s / e / l (mm)	71 × 180 × 1150	71 × 180 × 1150	
	4.24	Width of fork carriage	b3 (mm)	780	780	
	4.25	Fork spread	b5 (mm)	560 / 680	560 / 680	
	4.26	Straddle legs spread (from inside), min / max	b4 (mm)	200 / 320	200 / 320	
	Performance	4.34.1	Ground clearance, centre of wheelbase ²⁾	m2 (mm)	30	30
4.34.2		Aisle width with pallet 800 × 1200 along forks ⁴⁾	Ast (mm)	2693 / 3021 ^{4) 7)}	2693 / 3021 ^{4) 7)}	
4.35		Turning radius ⁴⁾	Wa (mm)	2011 / 2339 ^{4) 7)}	2011 / 2339 ^{4) 7)}	
5.1		Travel speed, with / without load (± 5 %) ⁷⁾	(km / h)	4 / 4; 6 / 6; 8 / 10	4 / 4; 6 / 6; 8 / 10	
5.2		Lifting speed, with / without load (± 10 %) ^{4) 8)}	(m / s)	0.16 / 0.30	0.15 / 0.30	
5.3		Lowering speed, with / without load (± 10 %) ⁴⁾	(m / s)	0.40 / 0.35	0.45 / 0.35	
5.8		Maximum climbing ability, with / without load	(%)	10 / 24	10 / 24	
5.10		Service brake		Electro	Electro	
Drive		6.1	Drive motor rating S2 60 min	(kW)	2.3	2.3
		6.2	Lift motor rating at S3 15 %	(kW)	3.2	3.2
	6.3	Battery according to DIN 43531 / 35 / 36 A, B, C, no		3 PzS-SL	3 PzS-SL	
	6.4	Battery voltage / rated capacity (5 h)	(V / Ah)	24 / 375	24 / 375	
				4 PZS SL, Li-ION 205 Ah: 23 / 205	4 PZS SL, Li-ION 205 Ah: 23 / 205	
				4 PZS SL, Li-ION 410 Ah: 23 / 410	4 PZS SL, Li-ION 410 Ah: 23 / 410	
	6.4	Battery weight (± 10 %)	(kg)	272 / 315 min. / max.	272 / 315 min. / max.	
	6.5	Battery weight with case (± 10 %)	(kg)	4 PZS SL, Li-ION 205 Ah: 312	4 PZS SL, Li-ION 205 Ah: 312	
		Battery weight with case (± 10 %)	(kg)	4 PZS SL, Li-ION 410 Ah: 351	4 PZS SL, Li-ION 410 Ah: 351	
6.6	Power Consumption according to VDI cycle normalized	(kWh / h)	1.27	1.47		
6.7	Turnover output according to VDI cycle	(T / h)	63	70.4		
6.8	Power Consumption on turnover output	(kWh / h)	1.84	1.85		
Others	8.1	Type of drive unit		LAC	LAC	
	10.7	Sound pressure level LpAZ (at the driver's seat)	(dB(A))	< 66	< 66	

1) In brackets: pallet truck capacity on the support arms, with initial lift option

2) Support arms low position / high position

3) Values with a T mast (+ 26 mm for S or D mast)

4) Values with 6.3 line battery for 3 PzS

5) In brackets: truck equipped with boogie option

6) Values with standard mast 4266T; for other values see mast table

7) Value with lowered platform

8) Free-lift with booster option = 0.40 m/s

9) Value with creep speed tiller

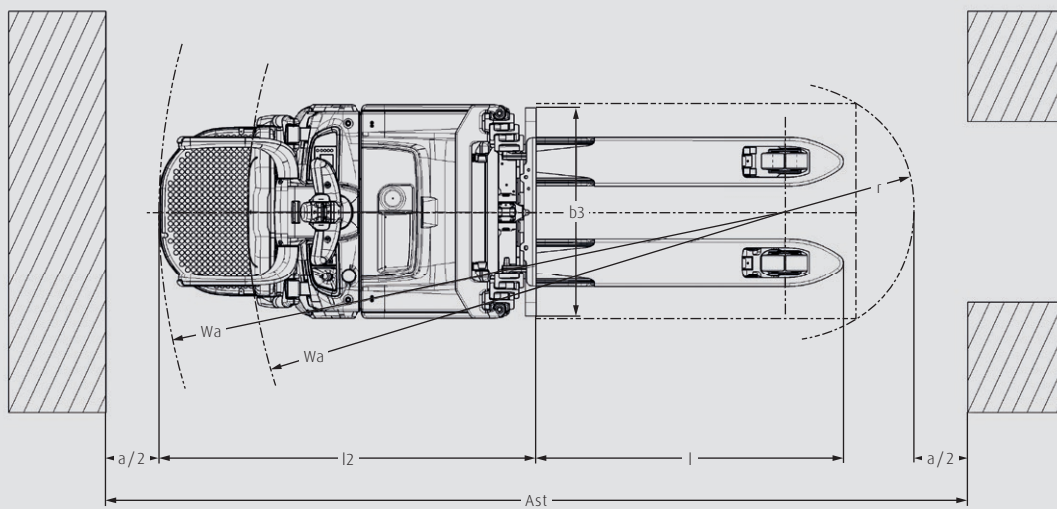
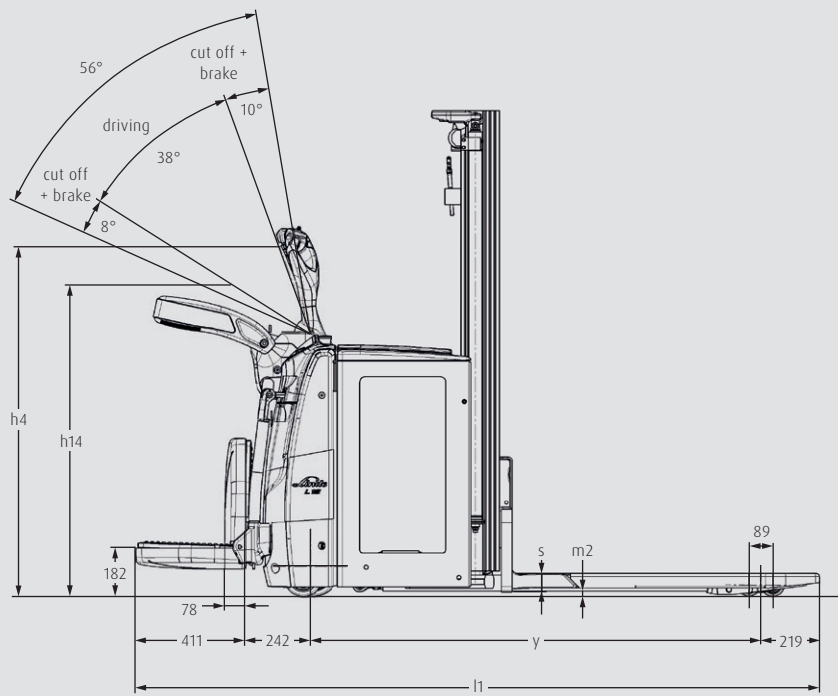
10) Value with bumper

11) Initial lift with tiller creep speed

12) Initial lift with bumper

13) Initial lift with closed platform

14) Initial lift with lowered platform



CHARACTERISTICS



Folding side guards protect the operator

Safety

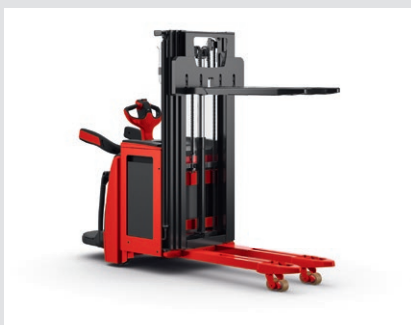
- Folding side guards protect the operator from injury
- Electromagnetic brake prevents accidents
- Soft, slip-proof rubber padding



Spacious workstation

Ergonomics

- Fully suspended operator compartment increased driver comfort
- One-handed operation of all driving and lifting functions for quick, easy transportation
- Numerous storage compartments
- Creep speed enables precise, convenient load handling
- Effortless folding up and down of the platform



Efficient transport of two pallets

Handling

- Linde OptiLift® mast control ensures a high level of precision at a fast pace of work
- Pallet stop ensures well positioning of pallets
- Top speed of 10 km/h unloaded and 8 km/h loaded
- Double stacking function allows simultaneous transport of two pallets with a weight of 1000 kg each



Computerized diagnostic

Service

- Multi-functional display provides an overview of all the truck information
- Maintenance-free 2.3 kW AC engine guarantees high availability
- CAN bus system for quick and easy diagnosis via notebook
- Easy access to all components

Subject to modification in the interest of progress. Illustrations and technical details could include options and not binding for actual constructions. All dimensions subject to usual tolerances.

Linde Material Handling

Linde

ncnielsen

Nørregade 66, DK-7860 Balling | Tlf.: +45 99 83 83 83
nc-nielsen.dk | info@nc-nielsen.dk